

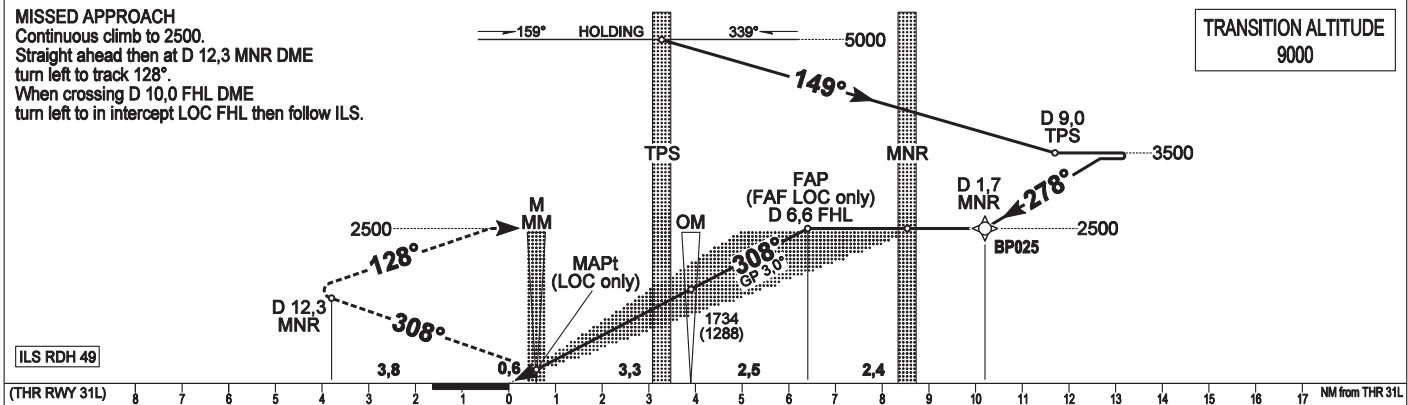
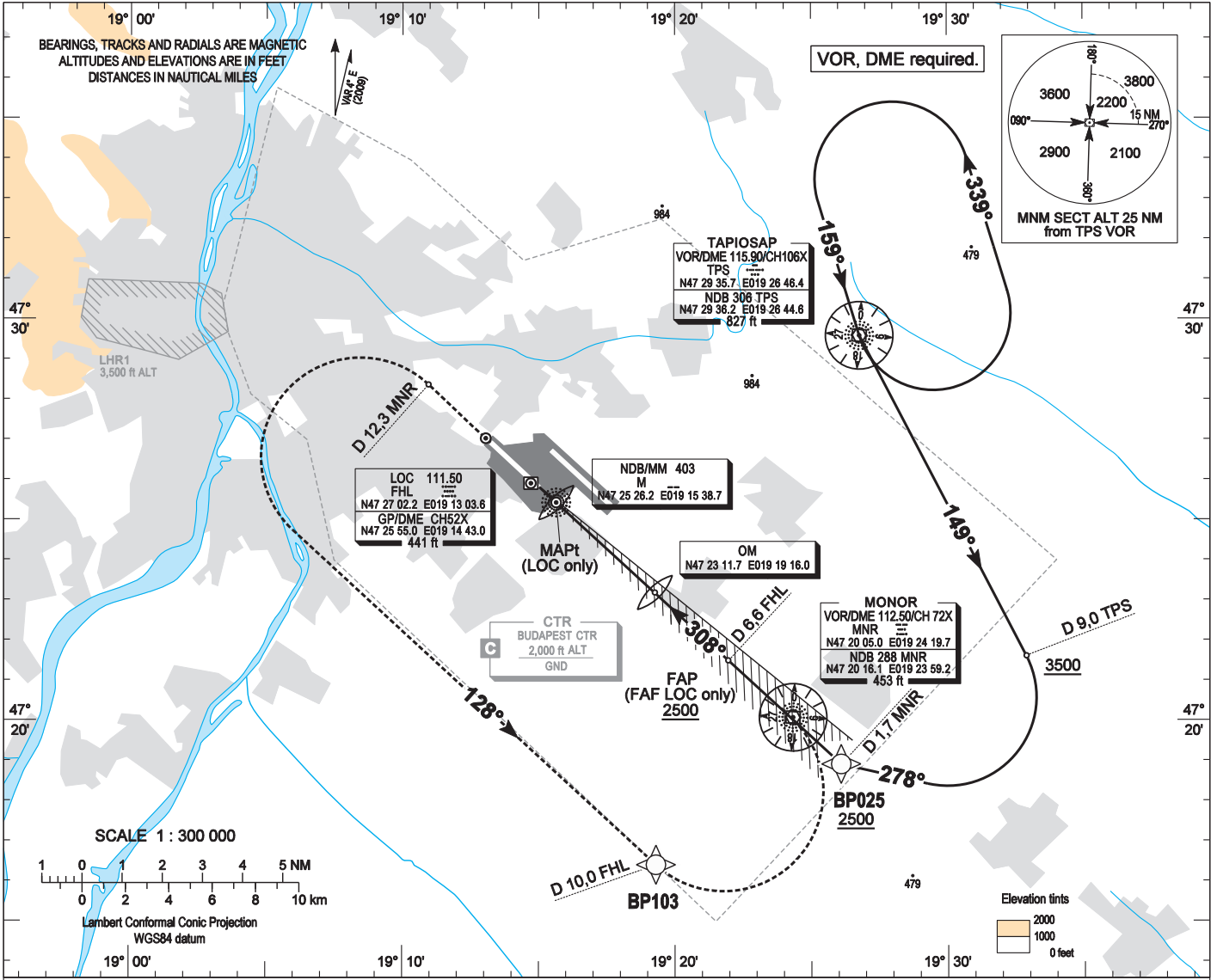
AIP HUNGARY

INSTRUMENT APPROACH CHART - ICAO

AERODROME ELEV 496
HEIGHTS RELATED TO THR RWY 31L - ELEV 448

BUDAPEST APPROACH 129,700 ATIS 132,375 (117,300)
122,975 BUDAPEST TOWER 118,100
119,500 BUDAPEST GROUND 121,900

BUDAPEST/LISZT FERENC
ILS or LOC RWY 31L
(ACFT CAT A, B, C, D)



OCA (OCH)		A	B	C	D	GROUND SPEED					
STRAIGHT-IN APPROACH	Cat. I.	Press. ALT	584 (135)	594 (145)	604 (155)	614 (165)	kt				
	Cat. II.	Rdo. ALT	(46)	(63)	(76)	(89)	MIN:sec				
	LOC only		755 (310)				3:19	2:12	1:39	1:19	1:07
CIRCLING APPROACH		ft AMSL	950	1100	1280	1460	Rate of descent (5,2%)				
		VIS. m	1900	2800	3700	4600	FPM				
							320	480	635	795	955