

Autodesk Inventor 2016

Top reasons to buy

Autodesk® Inventor®

Open | Connected | Professional grade

Autodesk Inventor is the center of an open and connected product development ecosystem that enables you to make great products with professional grade engineering solutions.

> Digital Prototyping

Digital Prototyping with Autodesk® Inventor® software gives you the ability to create and explore a complete product before it is built. Inventor software makes it easy for Autodesk® AutoCAD® software users to realize the benefits of Digital Prototyping by enabling them to integrate 2D AutoCAD drawings and 3D data into a single digital model. This model is a virtual representation of the final product that helps engineers to better design, visualize, and simulate their product with less reliance on costly physical prototypes—thereby improving time-to-market and increasing competitive advantage.

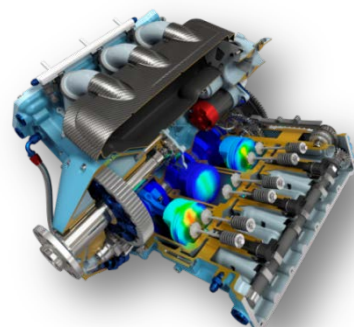


Image courtesy of ADEPT Airmotive (Pty) Ltd.

> AnyCAD technology

Autodesk Inventor 2016 provides an open and connected workflow when you need to use non-Inventor data. AnyCAD technology provides an associative connection with Catia, Solidworks®, NX, PTC® CREO®, Wildfire, Autodesk(R) Alias(R) software, and AutoCAD directly to Inventor without file translation. This core technology within Inventor and Inventor Professional is provided at no extra cost and enables seamless collaboration in a multiCAD design environment.

> Flexible modeling

Inventor's flexible modeling tools give you a unique, Industry-leading advantage when it comes to creating geometry. You can create geometry the best way possible to suit your specific need with parametric modeling, direct modeling, free-form, or even flexible sketching.



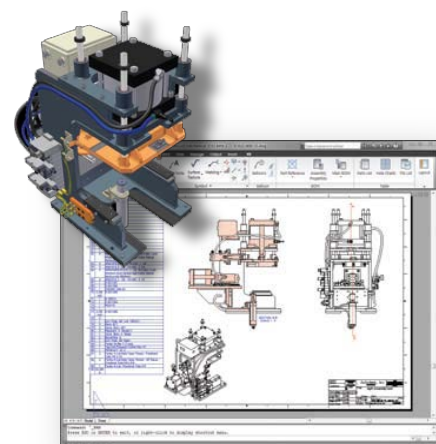
Image courtesy of Briggs Automotive Company Ltd.

> Automatic drawing updates and views

Change it once, change it everywhere. Inventor software associates drawing views to the original components, so a change made to any part or assembly is automatically reflected in all associated drawing sheets. Improve drafting productivity by automatically creating front, side, ISO, detail, section, and auxiliary views of parts and assemblies from the model. Quickly annotate drawings by retrieving the dimension information directly from the design.

> Design automation

Autodesk Inventor software features rules-based design and automation tools to accelerate design by automating common tasks, enabling engineers to focus on design intent rather than manually modeling geometry. Inventor software captures the functional requirements of a design to drive the automatic creation of intelligent components and accelerate design cycles. Fully integrated Inventor iLogic technology can dramatically simplify rules-based design to help any Inventor user—even those with little or no programming experience—to define complex product configurations, increase engineering productivity, and optimize designs.



> Innovative visualization

Quickly and easily create stunning renderings, animations, and presentations that improve communication with your design partners and customers. Autodesk Inventor software provides advanced visualization, illustration, and animation tools that help designers make innovative products. Dynamic shading, precise lighting control, and the included library of high-resolution textures make it easy to create photorealistic scenes of your final products in actual environments.



Image courtesy of Briggs Automotive Company Ltd.

> Automatic bill of materials

Create automated and associative parts lists and bills of materials (BOMs) that are developed specifically for manufacturing. Support is included for multiple parts lists per drawing, collapsible assemblies, and automatic recognition of standard parts. With automatic updating, changes ripple through the entire design to help keep everyone on schedule with accurate part counting, identification, and ordering. Features can be customized to match current company practices, and BOM data can be exported to a variety of enterprise resource planning (ERP) systems.



Image courtesy of Dynamic Structures Ltd.

> Easy-to-use simulation

Predict how your designs will work under real-world conditions before they're built. Autodesk Inventor Professional software provides easy-to-use motion simulation and stress analysis tools to help you create better-quality parts and avoid field failures. A comprehensive simulation environment provides support for motion simulation and static and modal finite element analysis (FEA) of parts, assemblies, and loadbearing frames.

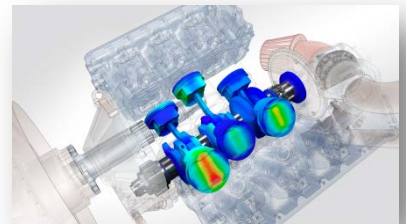


Image courtesy of ADEPT Airmotive (Pty) Ltd.

> Pipe and cable routing

Inventor Professional provides the power to quickly and accurately add routed systems and tube and pipe runs to 3D designs. Routed designs automatically comply with user-defined design rules to reduce errors and save time. In addition, the cable and wire harness routing functionality helps mechanical engineers to integrate electrical controls into 3D mechatronic product designs. As with all Inventor files, the assembly drawings automatically update whenever the routing model is modified.

> Integrated data management

Autodesk Inventor software includes integrated data management with Autodesk® Vault software, a centralized application for workgroups that securely stores and manages work-in-progress design data and related documents. For additional functionality, such as revision control, file and folder security, and BOM and ECO management, learn more about the complete Vault family of products at www.autodesk.com/vaultfamily.



Image courtesy of Osgood Industries

Now is the time

Learn how Autodesk Inventor is helping AutoCAD users take advantage of Digital Prototyping to design and build better products in less time at www.autodesk.com/inventor.

To locate the reseller near you, visit www.autodesk.com/reseller.

Try Autodesk® Inventor® for 30 days, visit www.autodesk.com/inventortrial.