



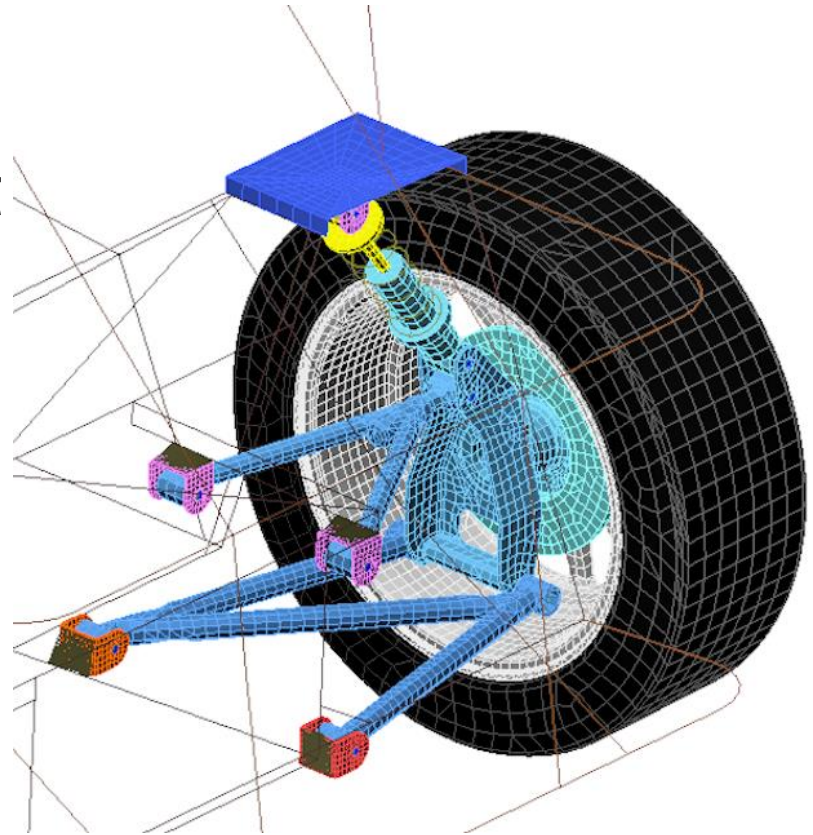
Autodesk® Nastran® 2016

What's New



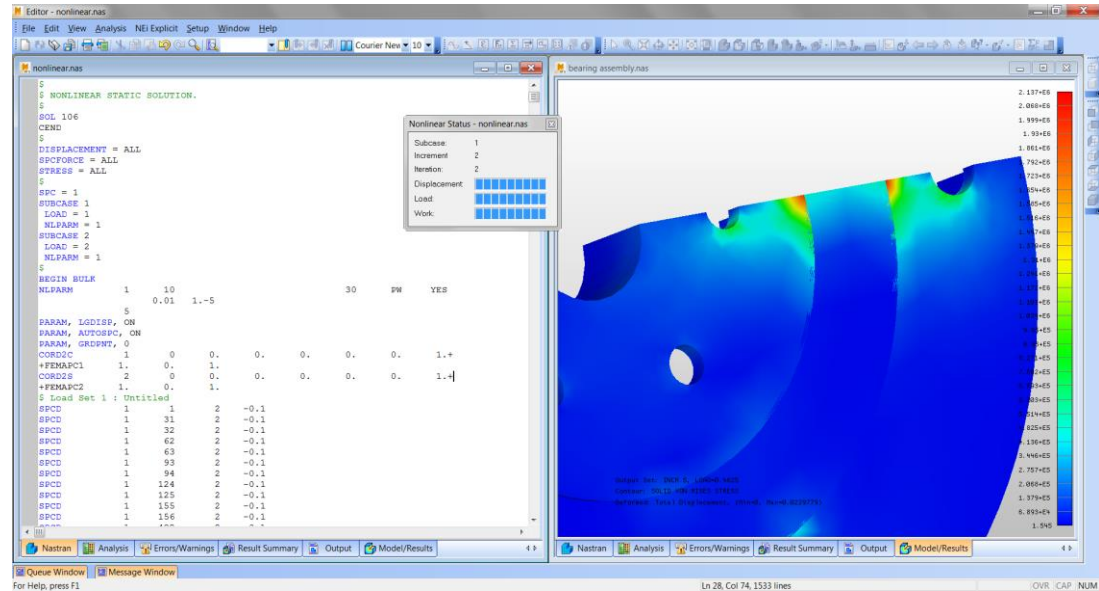
Pyramid Elements

- Support for Hex Dominant Meshing
- Interoperability with Pre/Post Processors
 - Autodesk® Simulation Mechanical



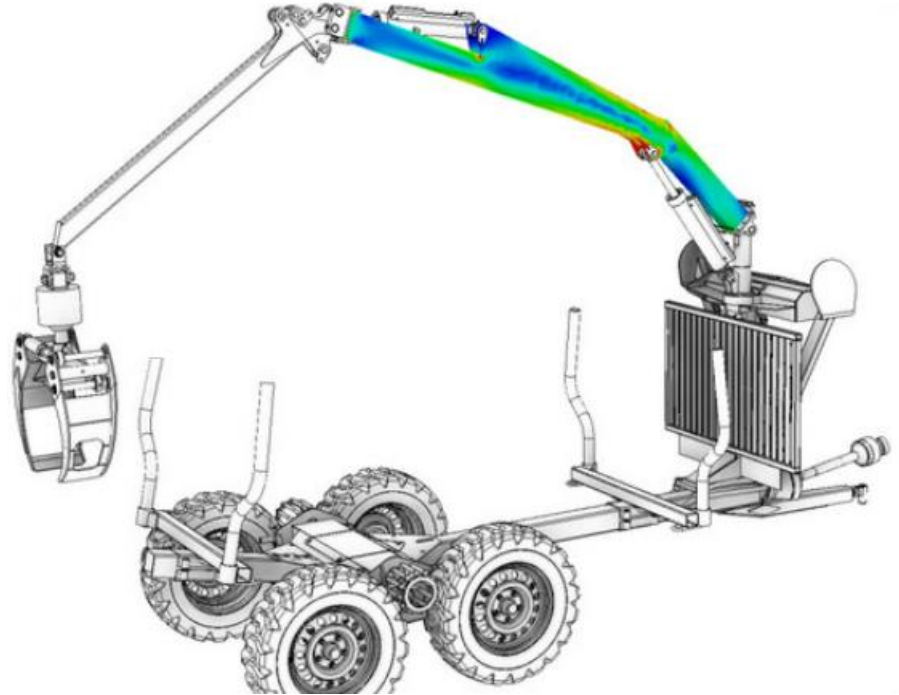
Updated Editor Performance

- 64-bit
- Faster loading
- Faster animations



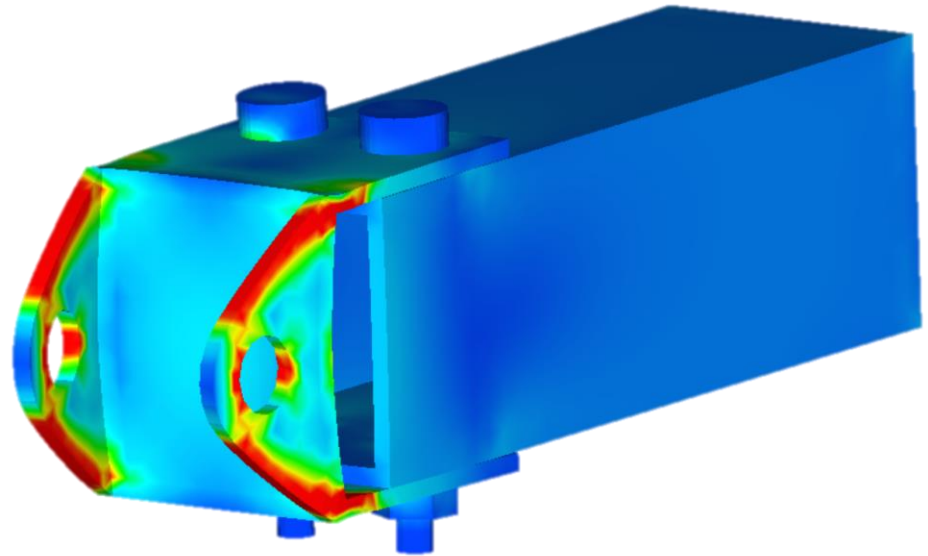
Buckling Improvements

- Linear Contact Support
 - Realistic contact scenario for buckling
 - Typically would require full nonlinear analysis
 - Longer solution times
- Inertial Relief Support



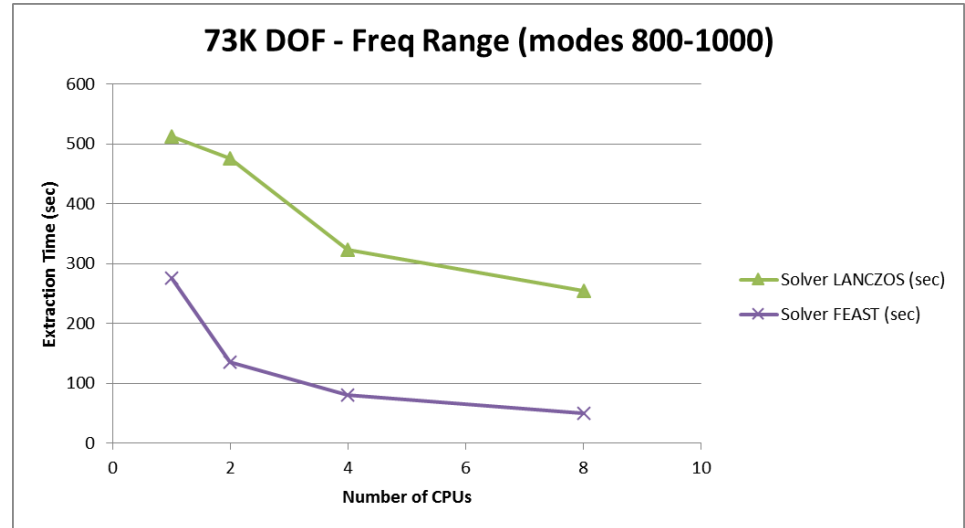
Output Improvements

- Composite Output
 - Ply by ply results available in Random Response Analysis
 - Output calculated using PSD stresses and strains
 - Ply failure indexes
 - Strength ratios
 - Invariant stress/strain



FEAST Eigensolver

- Improved Performance in Modal Analysis
 - Solves 3-4x faster for models where high frequency range is required



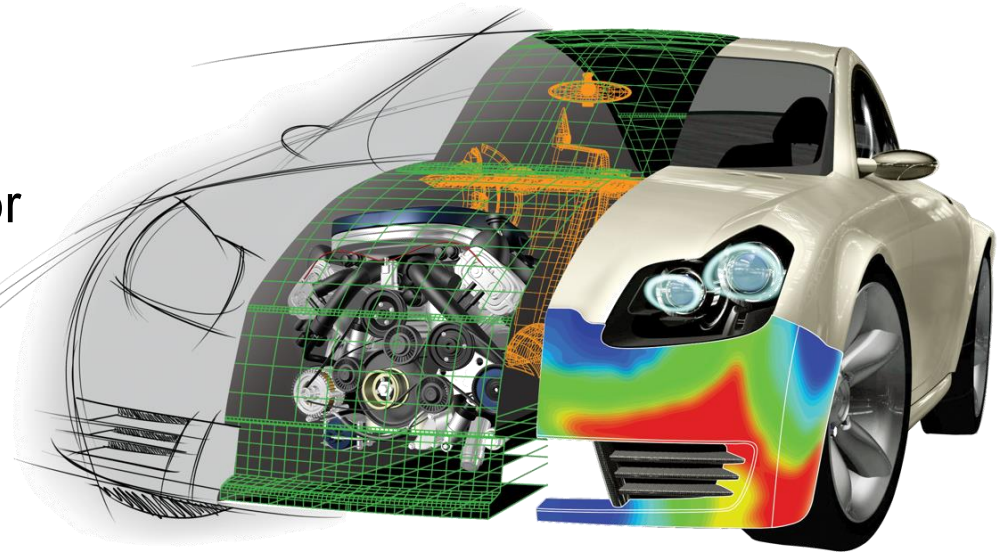
Capability Improvements

- Inertial Relief support in linear buckling and linear prestress static solutions
- CTRAX6 element
- Export deformed grids for nonlinear analysis
- STATSUB support for prestress linear buckling and prestress modal



Productivity Improvements

- Large displacement support for shear panel elements
- Improved subspace eigensolver performance for large number of modes
- Better support for multiple processors





Autodesk, and the Autodesk logo are registered trademarks or trademarks of Autodesk, Inc., and/or its subsidiaries and/or affiliates in the USA and/or other countries. Nastran is a registered trademark of the National Aeronautics and Space Administration. All other brand names, product names, or trademarks belong to their respective holders. Autodesk reserves the right to alter product and services offerings, and specifications and pricing at any time without notice, and is not responsible for typographical or graphical errors that may appear in this document.